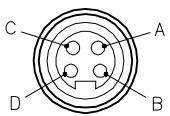

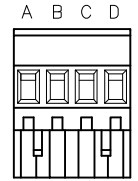
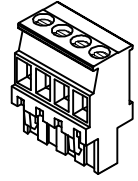

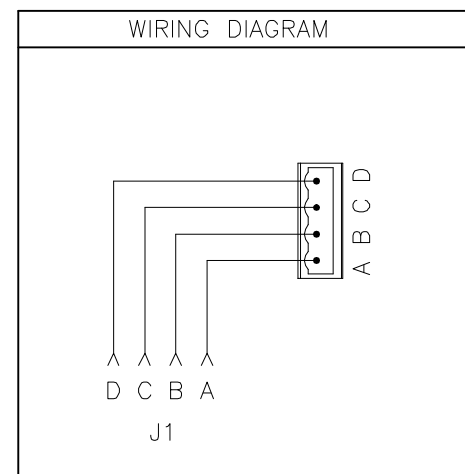
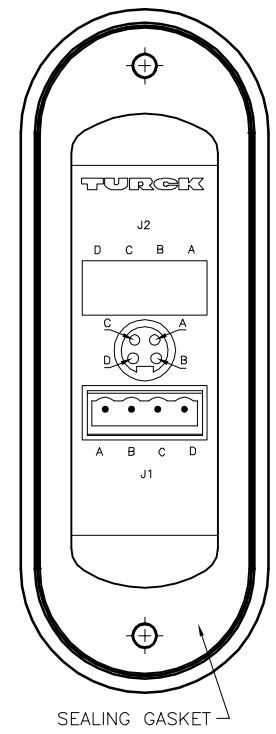
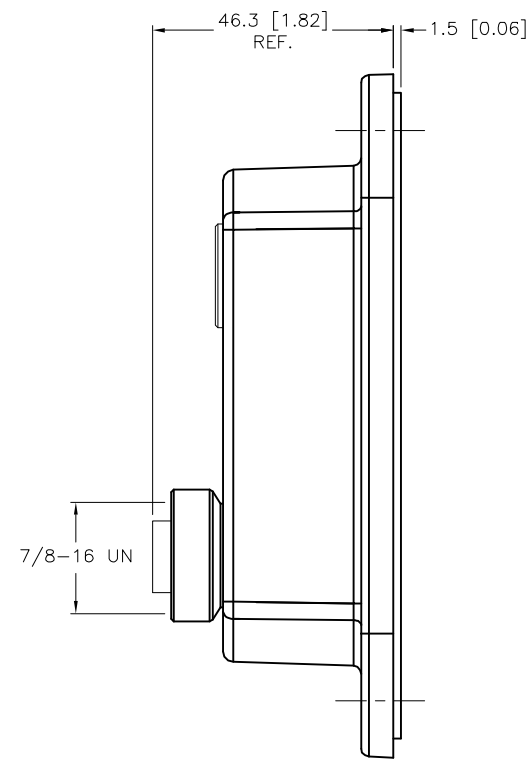
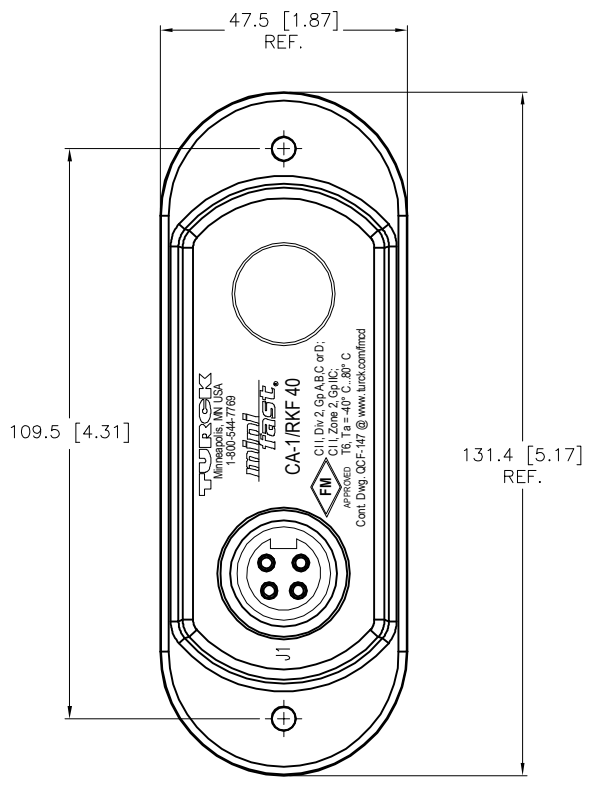
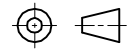


J1 CONNECTOR	TERMINAL BLOCK PLUG	TERMINAL PLUG INCLUDED	COVER SCREWS INCLUDED	SPECIFICATIONS	
 			 FORM 8 CONDUIT BODIES: 10-24 SCREWS MARK 9 CONDUIT BODIES: 8-32 SCREWS	HOUSING MATERIAL/COLOR	NYLON 66 - 33% GLASS FILLED/BLACK
				RECEPTACLE HOUSING MATERIAL/PLATING	BRASS/NICKEL
				CONTACT CARRIER/COLOR	TPU/BLACK
				CONTACT MATERIAL/PLATING	BRASS/GOLD
				OPERATING VOLTAGE	250 V
				OPERATING CURRENT	9.0 A PER CONDUCTOR
				PROTECTION CLASS to DIN 40050	IP 67 - ONLY WHEN ALL RECEPTACLES ARE COVERED WITH PLUGS OR CONNECTED
				OPERATING TEMPERATURE	-30°C to +80°C (-22°F to +176°F)



SOURCE DRAWING - FOR REFERENCE ONLY

RELATED DOCUMENTS 1. 2. 3. 4.	3RD ANGLE PROJECTION 	THIS DRAWING IS CONFIDENTIAL AND THE PROPERTY OF TURCK INC. USE OF THIS DOCUMENT WITHOUT WRITTEN PERMISSION IS PROHIBITED.		3000 CAMPUS DRIVE MINNEAPOLIS, MN 55441 1-800-544-7769 (763) 553-7300 (763) 553-0708 fax www.turck.us	
		MATERIAL SEE SPECIFICATIONS	DRFT DD APVD DD	DATE 08/13/03 SCALE 1=1.5	DESCRIPTION CA-1/RKF 40
	FINISH SEE SPECIFICATIONS	UNIT OF MEASUREMENT MILLIMETER [INCH]		IDENTIFICATION NO. U0936-04	
	DO NOT SCALE THIS DRAWING		FILE: U0936-04		SHEET 1 OF 1

F	UPDATED CLICHE	AS	10/21/25	81451
REV	DESCRIPTION	BY	DATE	ECO NO.